



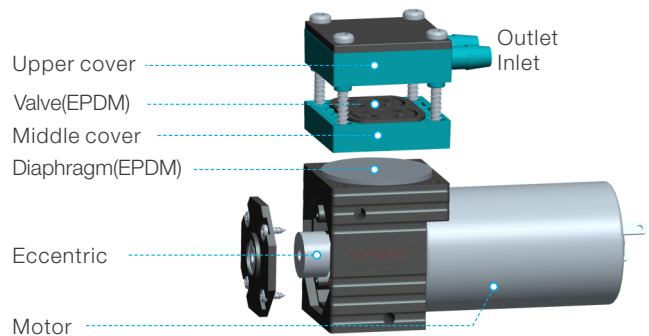
Typical Applications

- Inkjet printer
- Fireplace
- Water purifier
- Analytical instruments
- Semi-conductors
- Medical equipment
- Lab equipment
- Food & beverage industry
- Cleaning industry

Features

- Self priming function is available
- Dry running is acceptable
- Food grade type can be customized
- Excellent reliability
- Maintenance free

Structure



Specification

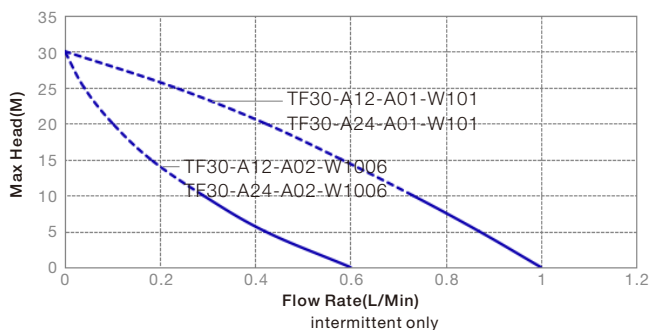
Model	Liquid Pump (Item Number)	Rated Voltage (VDC)	No Load Current (A)	0.8 [/ R D G & X U U H Q W (A)	0.8 [+ H D G (M)	Max Flow (L/min)	Motor Type	Lifetime (Hours)
TF30A-A01	TF30A-A01-12-W101	12	0.5	0.8	10	1	Brush Motor	3,000
	TF30A-A01-24-W101	24	0.4	0.8	10	1	Brush Motor	3,000
TF30A-A02	TF30A-A02-12-W1006	12	0.5	0.8	10	0.6	Brush Motor	3,000
	TF30A-A02-24-W1006	24	0.4	0.7	10	0.6	Brush Motor	3,000

Application Conditions:

- Medium temperature: 5°C~60°C

- Ambient temperature: -20°C~60°C

Curve



Dimension (mm)

